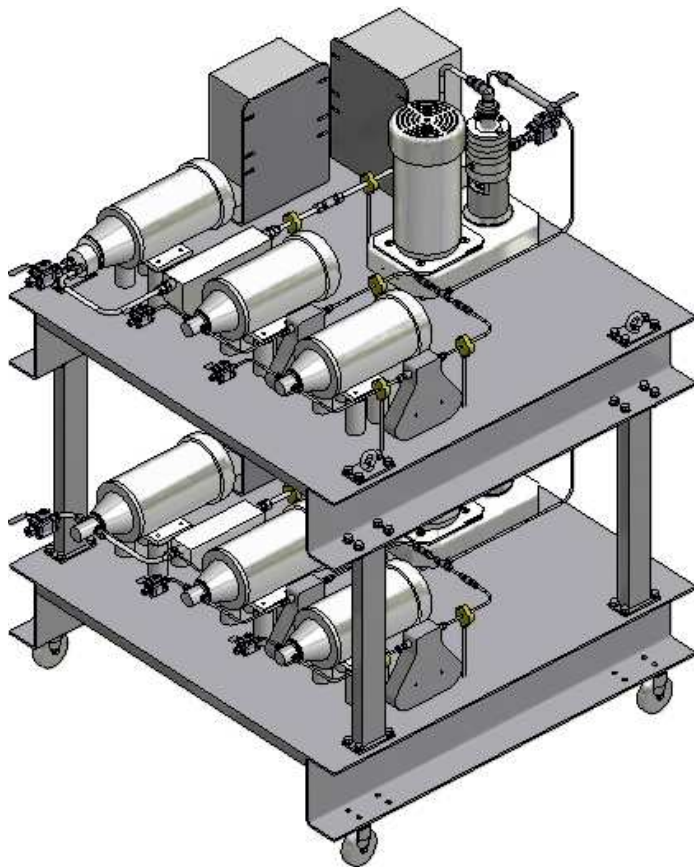


# DILUTION SKID

## Continuous Processing Pilot Plant

*Proven technology for dilution & reaction processes!*

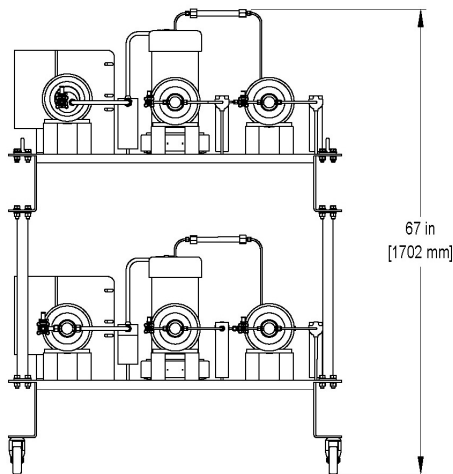
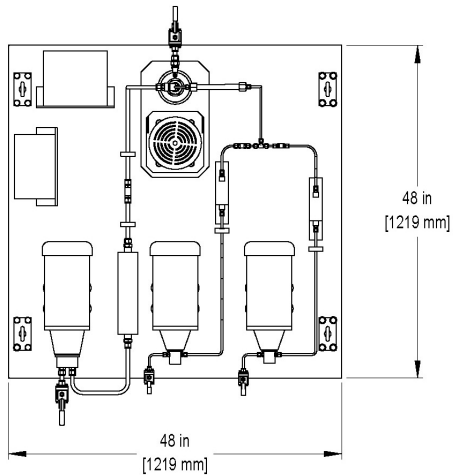
### Features of the DS 2000/04:



- ✓ Continuous capacity of 1 gpm, or optional 2 gpm
- ✓ Ideal for continuous dilution or reaction processes
- ✓ Capacity is suitable for pilot plants or production
- ✓ Ultra High Shear mixer technology - used in dilution or reactions for over 50 years
- ✓ Two stage process, for operation in unison or independently.
- ✓ Accurately meters multi-phases with precision gear pumps and high accuracy mass flow meters
- ✓ Connect the inlets to supply tanks, and outlets to the storage/reaction tanks
- ✓ The skids can be stacked or mounted separately



# Dilution Skid



| Technical Specifications DS 2000/04 |                       |
|-------------------------------------|-----------------------|
| System Type:                        | Continuous            |
| Capacity:                           | 1 or 2 gpm            |
| Classification:                     | Class I, Div I, Grp D |
| High Shear Mixers (2):              | IKA LP 2000/04        |
| Number of Stages:                   | 3                     |
| Wetted materials:                   | Stainless Steel       |
| HP (each):                          | 3                     |
| Sealing:                            | Lip seal              |
| Pumps (6):                          | Rotary Gear           |
| Wetted materials:                   | Stainless Steel       |
| Sealing:                            | Mag Drive             |
| Flow Meters (6):                    | Coriolis / Mass Flow  |
| Wetted materials:                   | Stainless Steel       |
| Piping:                             | Seamless Tubing       |
| Material:                           | Stainless Steel       |
| Base Frame:                         | Two piece, stackable  |
| Material:                           | Stainless Steel       |
| Controls:                           | Optional              |
| Type:                               | Automatic or Manual   |
| Enclosure:                          | NEMA 12               |

## Pricing

|  |                                       |
|--|---------------------------------------|
| DS 2000/4, Two Stage skid, 1 gpm .....               | <del>\$109,000</del> <b>\$87,000*</b> |
| Control Package for DS 2000/4, Fully Automatic ..... | <del>\$49,000</del> <b>\$38,000*</b>  |



IKA® WORKS, Inc.  
2635 Northchase Parkway SE  
Wilmington, NC 28405

Ph: (800) 733-3037 x 241  
Ph: (910) 452-7059  
E-mail: lee.holliday@ika.net



Designed to work perfectly

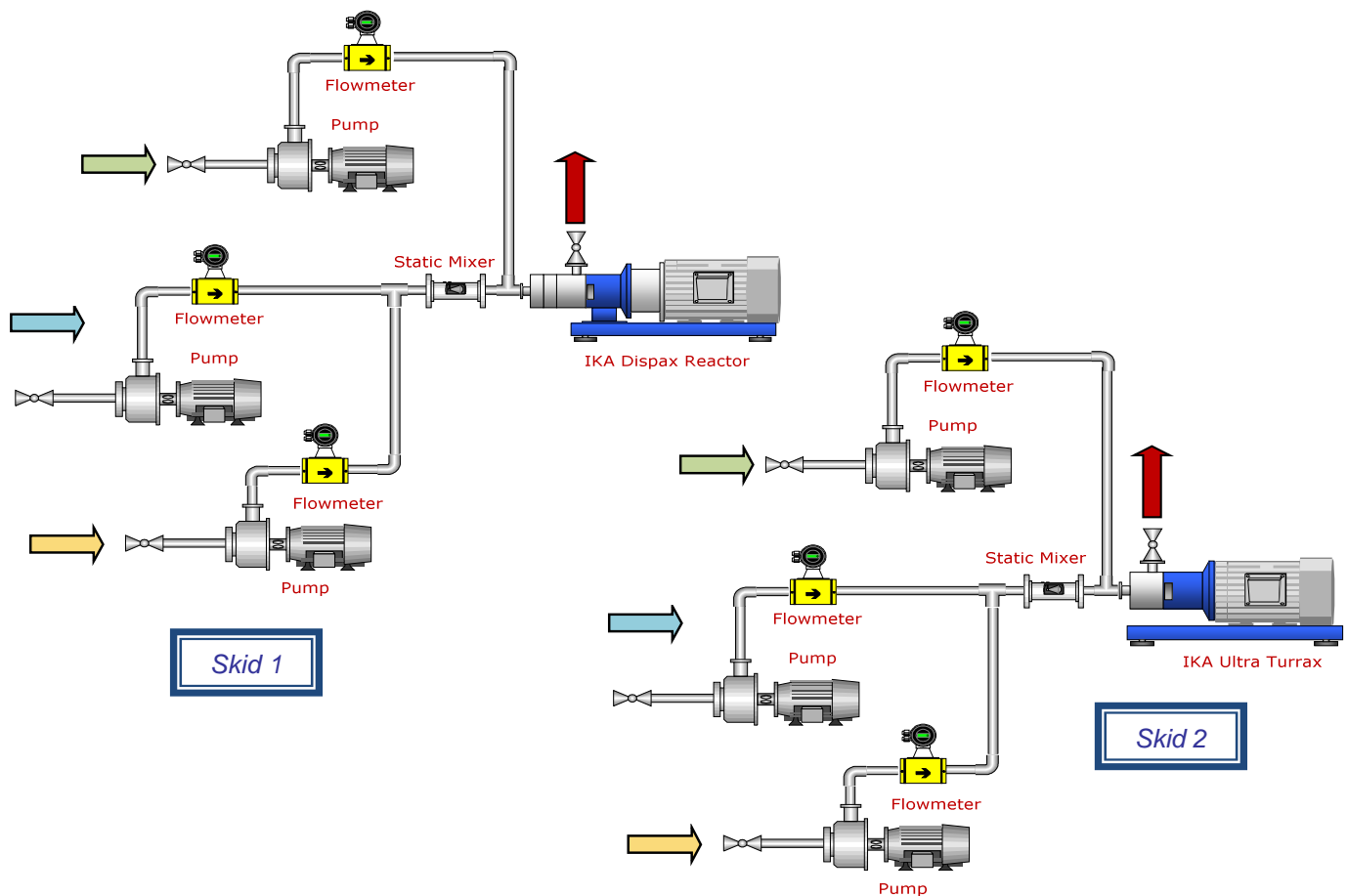
www.ikausa.com

## Description of the System:

The system consists of two separate skids, and each skid has all necessary equipment, piping and valves as pictured. All equipment is mounted on stainless steel bases, except for the control panel, which is designed for location in a non-hazardous area (in the event explosion proof requirements must be met). The skids can be stacked, or can be mounted separately. Manual isolation valves are located at the points of entry. Accurate control of the flow rates is accomplished with positive displacement pumps and flow meters that are located on each stream of liquid. Check valves are located at the end of each incoming stream in order to prevent backflow and any siphoning effects. The streams are combined immediately before the high shear zone of the IKA mixers with a specially designed injection tubes. Each skid has the electrical equipment wired to a junction box for easy field installation.

Skid 1 –The liquids will pass through an IKA® Dispax Reactor, where ultra high shear forces are introduced to three separate stages.

Skid 2 –The liquids will pass through a single stage IKA® Ultra Turrax, where high shear forces are introduced to the liquids.





Designed  
to work perfectly

[www.ikausa.com](http://www.ikausa.com)



Designed  
to work perfectly

[www.ikausa.com](http://www.ikausa.com)